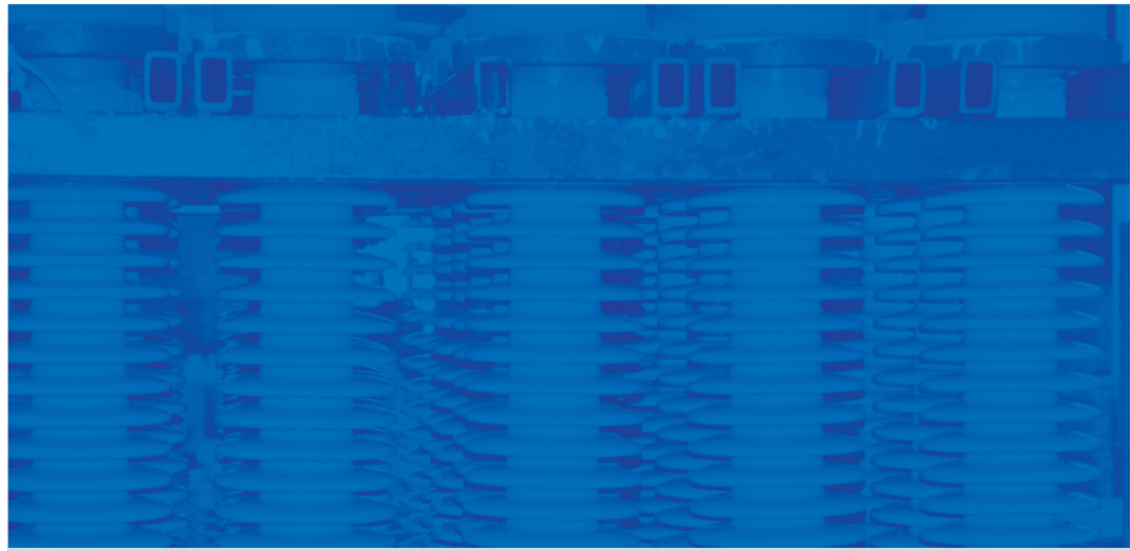




HPK
INSULATORS

HPK Porcelain Solid Core Post Insulators

ANSI



LILING HUAXIN INSULATOR TECHNOLOGY CO.,LTD
www.hpk-insulators.com



HPK INSULATORS INTRODUCTION

Liling Huaxin Insulator Technology Co., Ltd is located in Liling city, Hunan province, doing business as HPK INSULATORS.

The company was founded in 1985, has always focused on the research, design, production and sales of leading products in electric porcelain insulator industry, owns the most variety and the largest production quantity of porcelain hollow insulator, together with HPK solid post insulators and composite insulators, Liling HUAXIN has ability to provide solutions for all demands of porcelain and composite insulators.

The company owns 802 employees including 8 senior engineers, 80 professional technicians, and covers an area of 350 thousand square meters, the workshop area is around 80 thousand square meters, which includes 75 thousand square meters for porcelain insulators and 4 thousand square meters for composite insulators.

HUAXIN is the key strategic partner of the world leading power grid equipment operators ABB, SIEMENS and GE and the important insulator supplier in their global industrial chains. Further more, the company has supplied many kinds of quality porcelain insulator products to a number of key national transmission and transformation projects in China, such as the "Three Gorges Project", "Lanzhou-Guanting 750kV Transmission and Transformation Demonstration Project", "Southeast Shanxi-Nanyang-Jinmen 1,000kV UHV AC Transmission and Transformation Demonstration Project", etc.

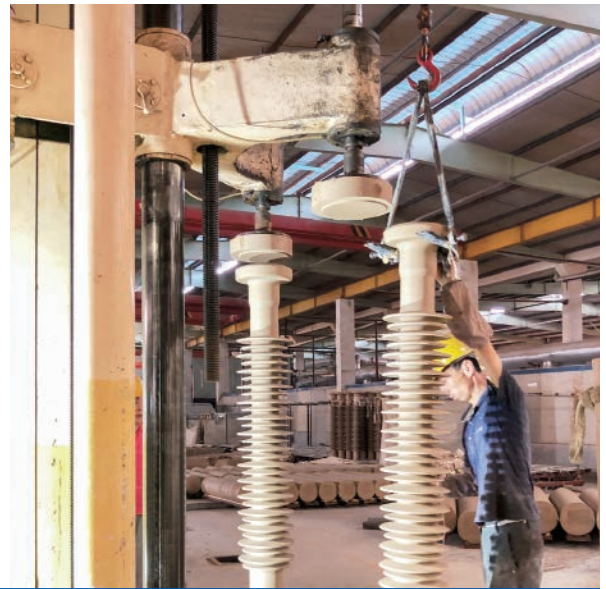
In the past 35 years, over 15 million pieces of Liling Huaxin insulator products have been operating safely on the HV and UHV transmission and transformation lines all over the world, We aspire to provide better quality insulators with more varieties and insulator solutions to serve the domestic and global power by integrating Huaxin worldwide-applied porcelain insulators with 35 years manufacturing experienced transmission line insulators, and high-performance composite insulators; and supported by our excellent specialized service.

- ① Production Line 1
- ② Production Line 2
- ③ Production Line 3
- ④ Production Line 4
- ⑤ Production Line 5
- ⑥ Testing Center 1
- ⑦ Testing Center 2
- ⑧ Warehouse



HPK INSULATORS TR POST

HPK offers TR porcelain station post insulators with various mechanical ratings in full accordance with ANSI C29.9. The requirements of insulation are available in ratings from 95 kV to 2050 kV. Moreover, HPK is capable of providing TR station post insulators with special requirements upon customer request, including all possible shed designs as defined in the IEC 60815, such as alternating shed, plain shed, under rib shed and rain shed, etc.

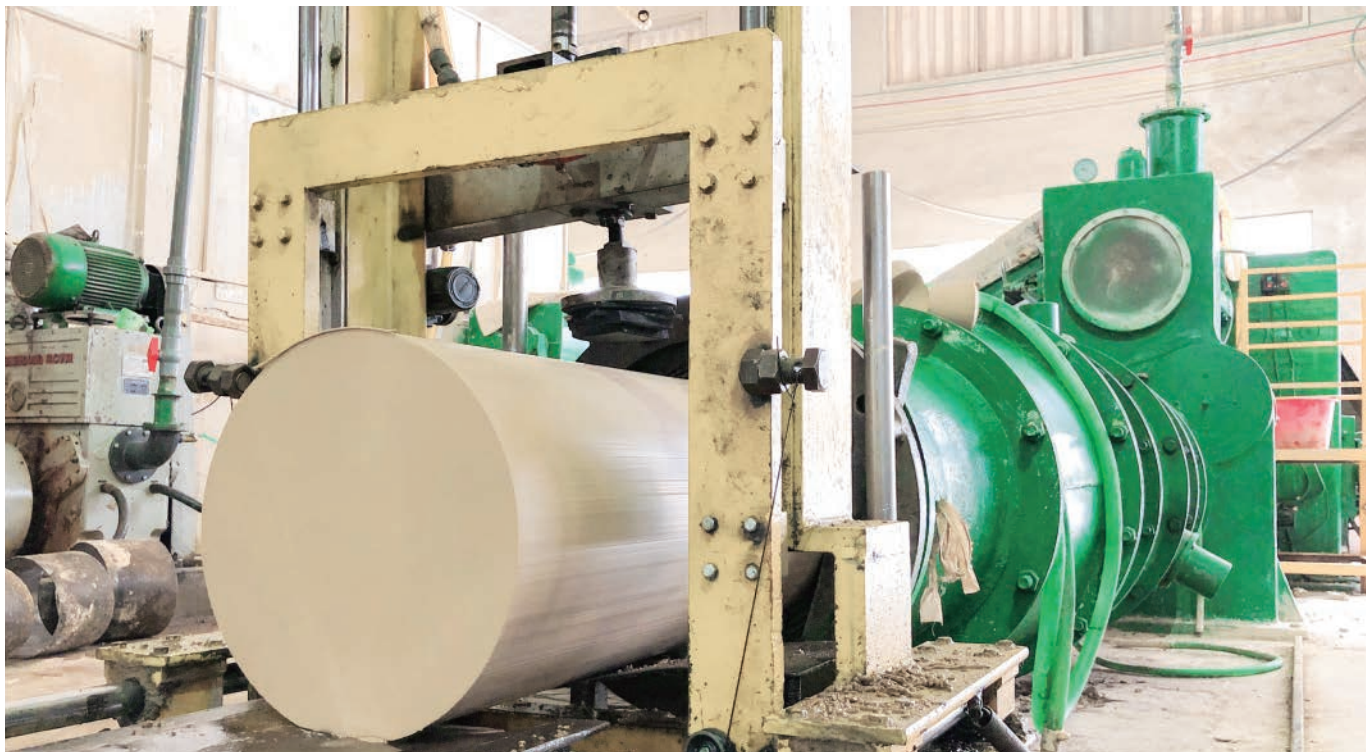


Dimensions range

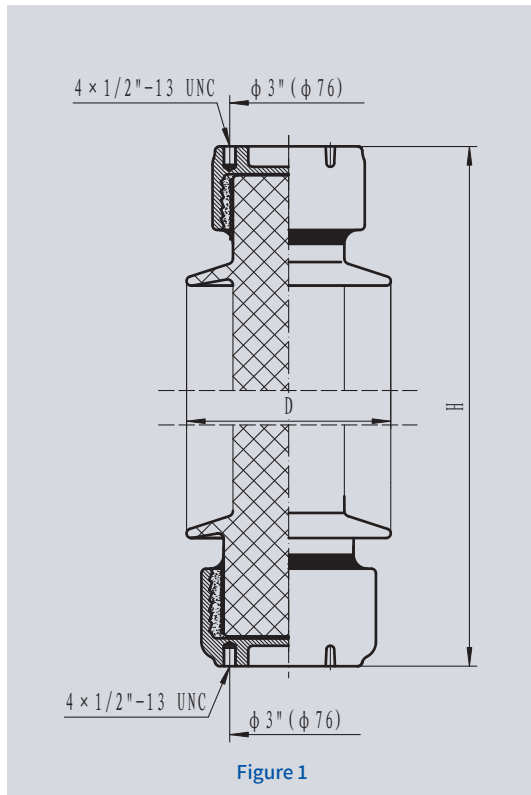
Overall height	7.5 in – 185 in	191 mm – 4,699 mm
Shed diameter	7.0 in – 16 in	178 mm – 406 mm
Creepage distance	11 in – 432 in	267 mm – 10,973 mm

Mechanical strength range

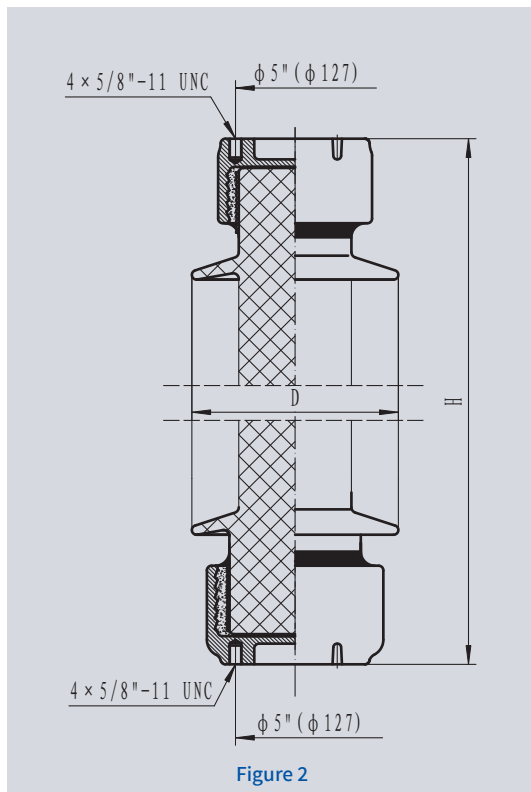
Tension strength	7,000 Lbf – 20,000 Lbf	31.1 kN – 89 kN
Compression strength	10,000 Lbf – 60,000 Lbf	44.5 kN – 266.9 kN
Torsion strength	6,000 In-Lbf – 60000 In-Lbf	0.7 kN·m – 6.8 kN·m



SPECIFICATION

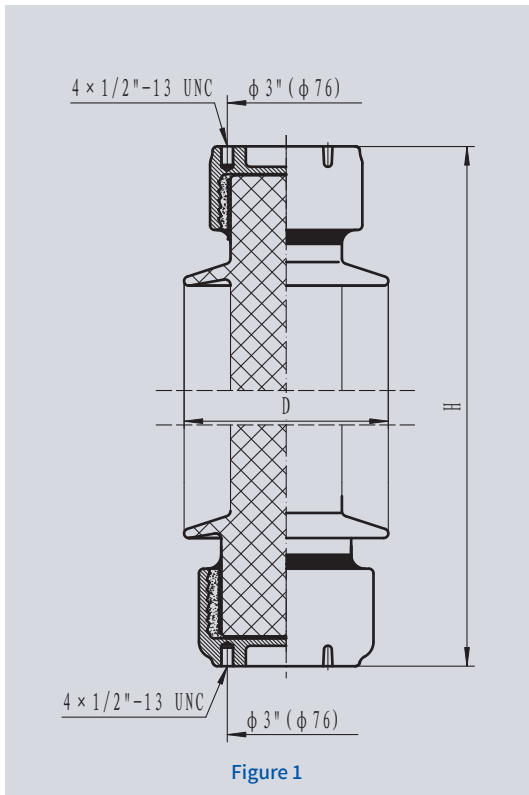


ANSI PART Number	TR 202		TR 222		TR 232	
HPK Catalog Number	2020201		2022201		2023201	
Figure Number	1		2		2	
DIMENSIONS	In	mm	In	mm	In	mm
H - Overall Height	7.5	191	10	254	10	254
D - Max Shed Diameter	7	178	7.5	191	10	257
Creepage Distance	10.5	267	10.5	267	10.5	267
Fitting - Live Line End	3	76	5	127	5	127
Fitting - Ground/Base	3	76		127	5	127
MECHANICAL STRENGTH	Lbf	kN	Lbf	kN	Lbf	kN
Cantilever Strength, Upright	2000	8.9	4000	17.8	8000	35.6
Tension Strength	7000	31.1	15000	66.7	28000	124.6
Compression Strength	10000	44.5	20000	89.0	40000	177.9
Torsion Strength	6000	26.7	12000	53.4	40000	177.9
ELECTRICAL PERFORMANCE	kV		kV		kV	
Power frequency Wet withstand voltage	30		30		30	
Impulse flashover voltage, positive pole	105		105		105	
Impulse Withstand	95		95		95	
RADIO INFLUENCE VOLTAGE	50 μV		50 μV		50 μV	
1000kHz Maximum radio interference	50 μV		50 μV		50 μV	
Radio interference to the ground	5 kV		5 kV		5 kV	

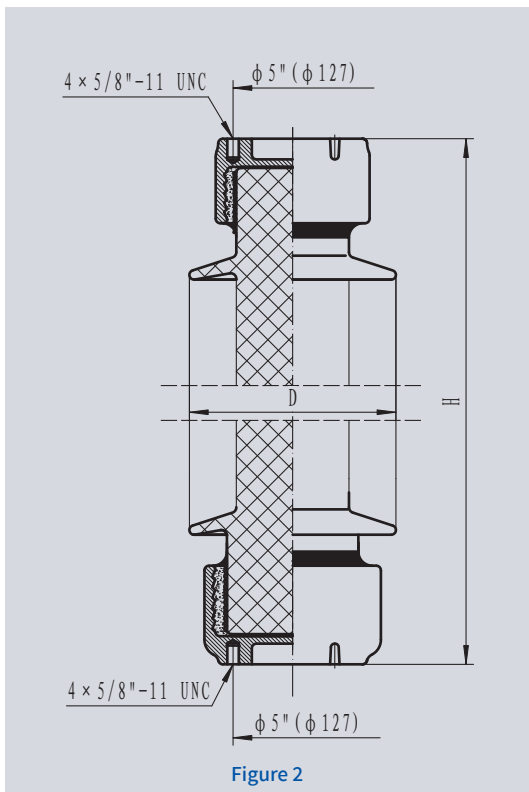


ANSI PART Number	TR 205		TR 225		TR 235	
HPK Catalog Number	2020501		2022501		2023501	
Figure Number	1		2		2	
DIMENSIONS	In	mm	In	mm	In	mm
H - Overall Height	10	254	12	304.8	12	304.8
D - Max Shed Diameter	7	178	8	203	10	254
Creepage Distance	15.5	394	15.5	394	15.5	394
Fitting - Live Line End	3	76	5	127	5	127
Fitting - Ground/Base	3	76	5	127	5	127
MECHANICAL STRENGTH	Lbf	kN	Lbf	kN	Lbf	kN
Cantilever Strength, Upright	2000	8.9	4000	17.8	8000	35.6
Tension Strength	8500	37.8	20000	89.0	28000	124.6
Compression Strength	10000	44.5	20000	89.0	40000	177.9
Torsion Strength	7000	31.1	14000	62.3	40000	177.9
ELECTRICAL PERFORMANCE	kV		kV		kV	
Power frequency Wet withstand voltage	45		45		45	
Impulse flashover voltage, positive pole	125		125		125	
Impulse Withstand	110		110		110	
RADIO INFLUENCE VOLTAGE	50 μV		50 μV		50 μV	
1000kHz Maximum radio interference	50 μV		50 μV		50 μV	
Radio interference to the ground	10 kV		10 kV		10 kV	

SPECIFICATION

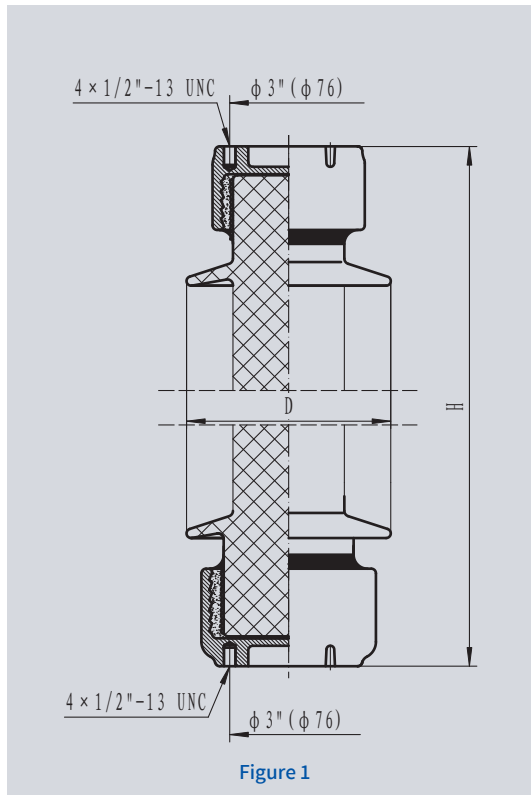


ANSI PART Number	TR 208		TR 227		TR 237	
HPK Catalog Number	2020801		2022701		2023701	
Figure Number	1		2		2	
DIMENSIONS	In	mm	In	mm	In	mm
H - Overall Height	14	356	15	381	15	381
D - Max Shed Diameter	7	178	9	229	11	279
Creepage Distance	24	610	24	610	24	610
Fitting - Live Line End	3	76	5	127	5	127
Fitting - Ground/Base	3	76	5	127	5	127
MECHANICAL STRENGTH	Lbf	kN	Lbf	kN	Lbf	kN
Cantilever Strength, Upright	2000	8.9	4000	17.8	8000	35.6
Tension Strength	10000	44.5	20000	89.0	28000	124.6
Compression Strength	10000	44.5	20000	89.0	40000	177.9
Torsion Strength	8000	35.6	16000	71.2	4000	17.8
ELECTRICAL PERFORMANCE	kV		kV		kV	
Power frequency Wet withstand voltage	60		60		60	
Impulse flashover voltage, positive pole	170		170		170	
Impulse Withstand	150		150		150	
RADIO INFLUENCE VOLTAGE						
1000kHz Maximum radio interference	100 μV		100 μV		100 μV	
Radio interference to the ground	15 kV		15 kV		15 kV	

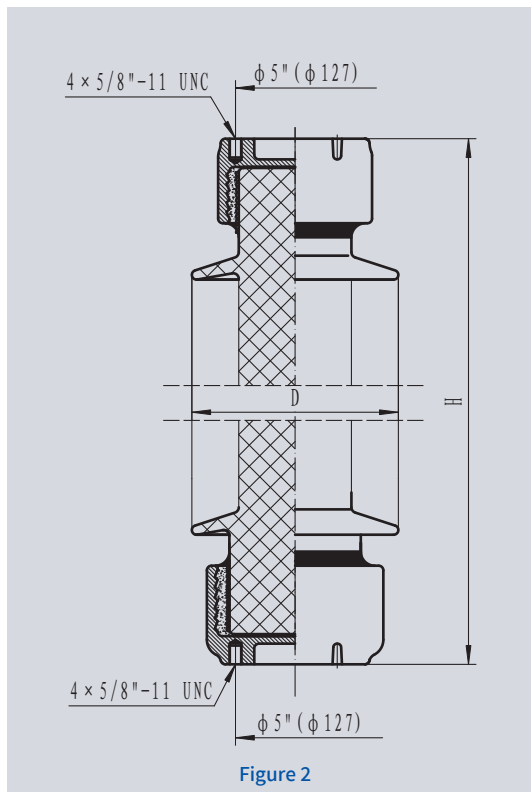


ANSI PART Number	TR 210		TR 231		TR 241	
HPK Catalog Number	2021001		2023101		2024101	
Figure Number	1		2		2	
DIMENSIONS	In	mm	In	mm	In	mm
H - Overall Height	18	457	20	508	20	508
D - Max Shed Diameter	7.5	191	10	254	12	305
Creepage Distance	37	940	37	940	37	940
Fitting - Live Line End	3	76	5	127	5	127
Fitting - Ground/Base	3	76	5	127	5	127
MECHANICAL STRENGTH	Lbf	kN	Lbf	kN	Lbf	kN
Cantilever Strength, Upright	2000	8.9	4000	17.8	8000	35.6
Tension Strength	12000	53.4	25000	111.2	28000	124.6
Compression Strength	15000	66.7	30000	133.4	60000	266.9
Torsion Strength	1000	4.4	2000	8.9	40000	177.9
ELECTRICAL PERFORMANCE	kV		kV		kV	
Power frequency Wet withstand voltage	80		80		80	
Impulse flashover voltage, positive pole	225		225		225	
Impulse Withstand	200		200		200	
RADIO INFLUENCE VOLTAGE						
1000kHz Maximum radio interference	50 μV		50 μV		50 μV	
Radio interference to the ground	22 kV		22 kV		22 kV	

SPECIFICATION



ANSI PART Number	TR 214		TR 267	
HPK Catalog Number	2021401		2026701	
Figure Number	1		2	
DIMENSIONS	In	mm	In	mm
H - Overall Height	22	559	24	610
D - Max Shed Diameter	8	203	10	254
Creepage Distance	43	1092	43	1092
Fitting - Live Line End	3	76	5	127
Fitting - Ground/Base	3	76	5	127
MECHANICAL STRENGTH	Lbf	kN	Lbf	kN
Cantilever Strength, Upright	2000	8.9	4000	17.8
Tension Strength	14000	62.3	25000	111.2
Compression Strength	15000	66.7	60000	266.9
Torsion Strength	12000	53.4	20000	89.0
ELECTRICAL PERFORMANCE	kV		kV	
Power frequency Wet withstand voltage	100		100	
Impulse flashover voltage, positive pole	280		280	
Impulse Withstand	250		250	
RADIO INFLUENCE VOLTAGE				
1000kHz Maximum radio interference	200 μV		200 μV	
Radio interference to the ground	30 kV		30 kV	



ANSI PART Number	TR 216		TR 278	
HPK Catalog Number	2021601		2027801	
Figure Number	1		2	
DIMENSIONS	In	mm	In	mm
H - Overall Height	30	762	30	762
D - Max Shed Diameter	9.1	231	11	279
Creepage Distance	72	1829	72	1829
Fitting - Live Line End	3	76	5	127
Fitting - Ground/Base	3	76	5	127
MECHANICAL STRENGTH	Lbf	kN	Lbf	kN
Cantilever Strength, Upright	1500	6.7	3000	13.3
Tension Strength	16000	71.2	25000	111.2
Compression Strength	25000	111.2	60000	266.9
Torsion Strength	15000	66.7	40000	177.9
ELECTRICAL PERFORMANCE	kV		kV	
Power frequency Wet withstand voltage	145		145	
Impulse flashover voltage, positive pole	390		390	
Impulse Withstand	350		350	
RADIO INFLUENCE VOLTAGE				
1000kHz Maximum radio interference	200 μV		200 μV	
Radio interference to the ground	44 kV		44 kV	

SPECIFICATION

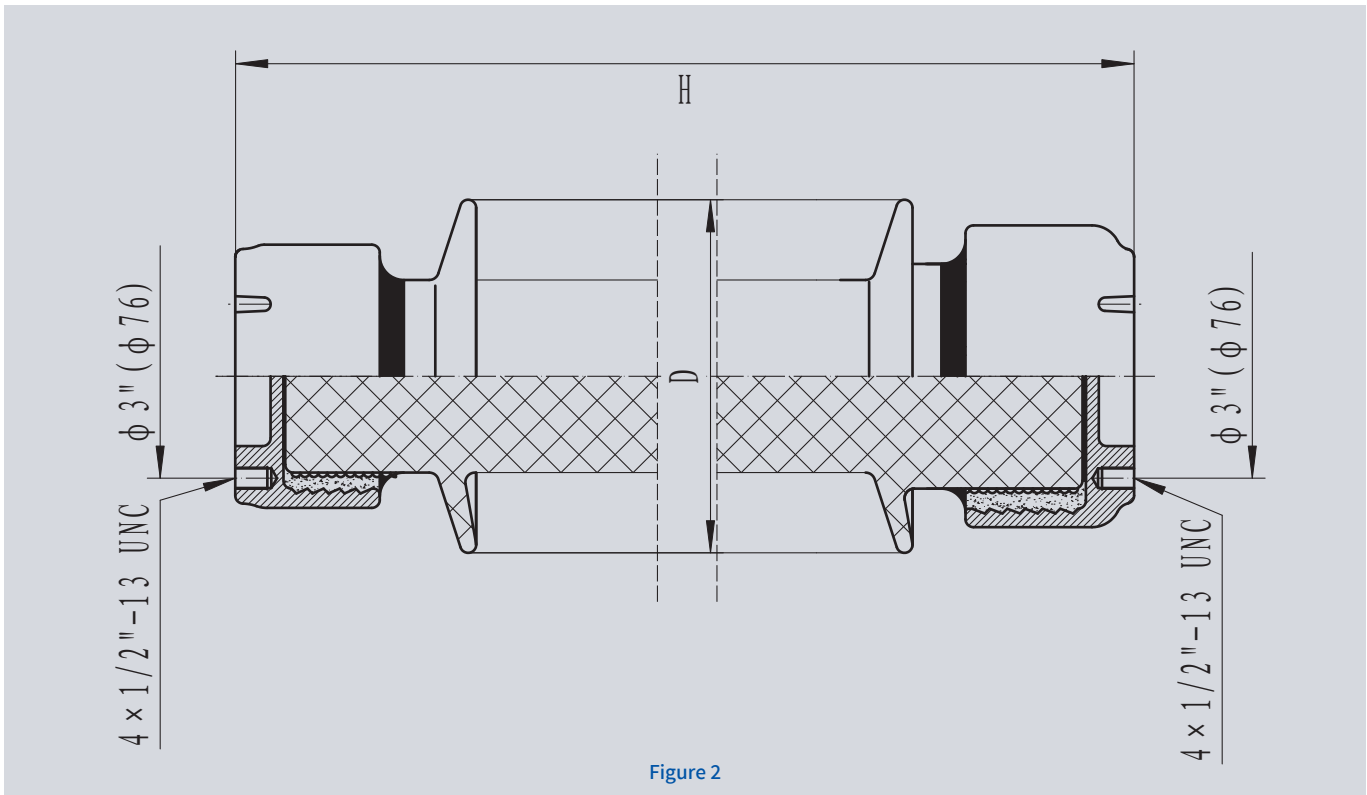


Figure 2

ANSI PART Number	TR 286		TR 287		TR 288		TR 289	
HPK Catalog Number	2028601		2028701		2028801		2028901	
Figure Number	2		2		2		2	
DIMENSIONS	In	mm	In	mm	In	mm	In	mm
H - Overall Height	45	1143	45	1143	54	1372	54	1372
D - Max Shed Diameter	10.5	267	12	305	10.5	267	12	305
Creepage Distance	99	2515	99	2515	116	2946	116	2946
Fitting - Live Line End	5	127	5	127	5	127	5	127
Fitting - Ground/Base	5	127	5	127	5	127	5	127
MECHANICAL STRENGTH	Lbf	kN	Lbf	kN	Lbf	kN	Lbf	kN
Cantilever Strength, Upright	1700	7.6	2600	11.6	1400	6.2	2200	9.8
Tension Strength	20000	89.0	25000	111.2	20000	89.0	25000	111.2
Compression Strength	60000	266.9	75000	333.6	60000	266.9	75000	333.6
Torsion Strength	40000	177.9	90000	400.3	40000	177.9	90000	400.3
ELECTRICAL PERFORMANCE	kV		kV		kV		kV	
Power frequency Wet withstand voltage	230		230		275		275	
Impulse flashover voltage, positive pole	610		610		710		710	
Impulse Withstand	550		550		650		650	
RADIO INFLUENCE VOLTAGE								
1000kHz Maximum radio interference	200 μV		200 μV		200 μV		200 μV	
Radio interference to the ground	73 kV		73 kV		88 kV		88 kV	

SPECIFICATION

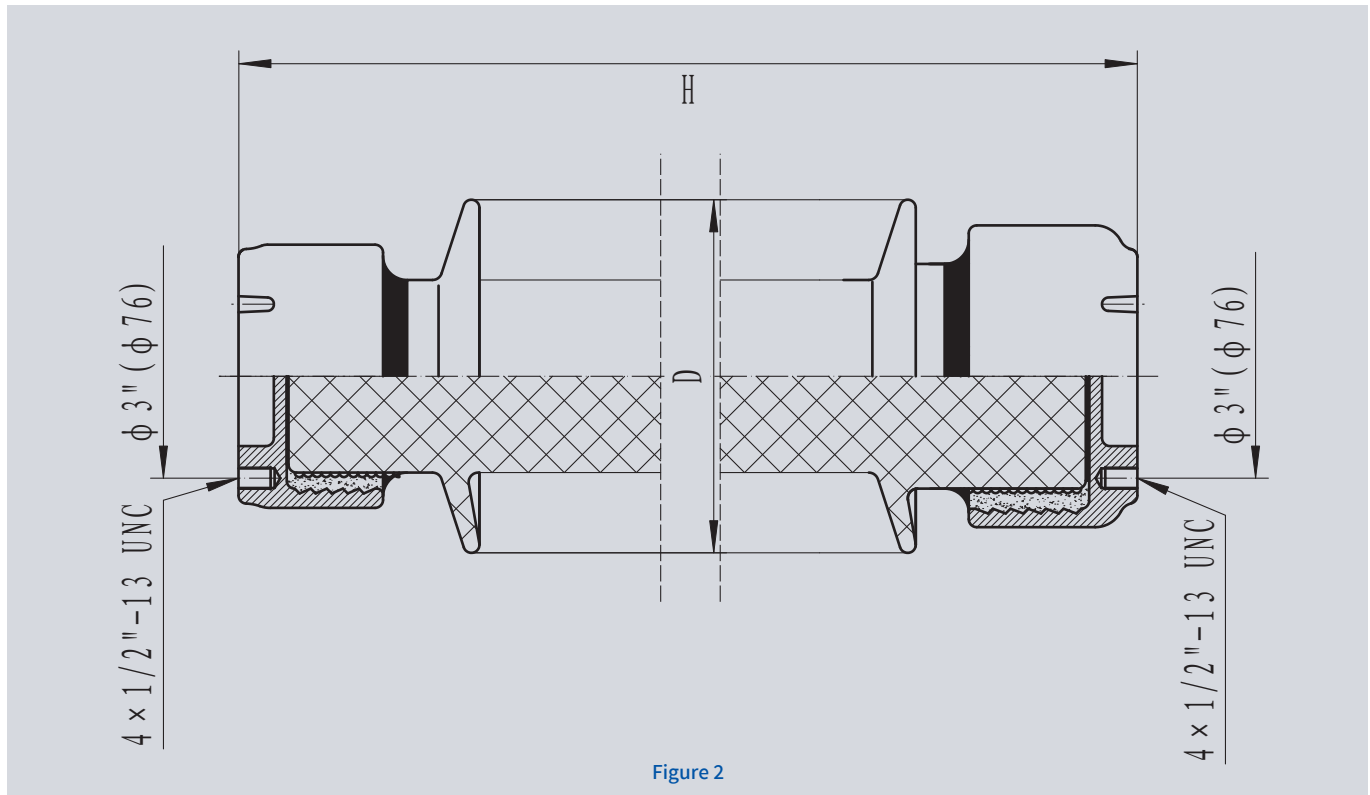
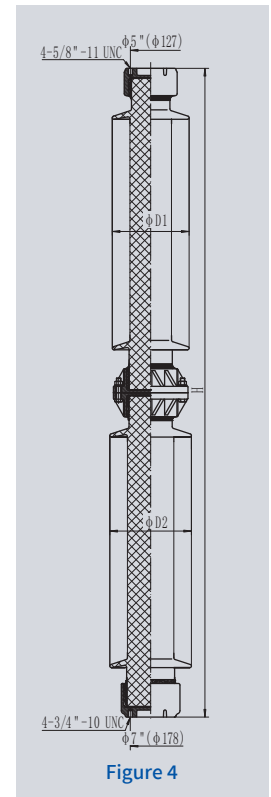
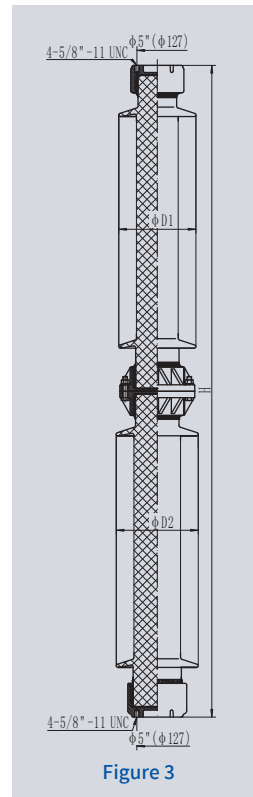


Figure 2

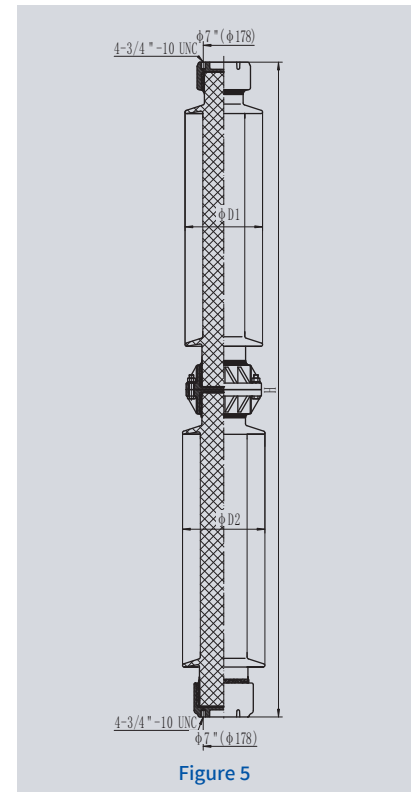
ANSI PART Number	TR 291		TR 295		TR 304		TR 308	
HPK Catalog Number	2029101		2029501		2030401		2030801	
Figure Number	2		2		2		2	
DIMENSIONS	In	mm	In	mm	In	mm	In	mm
H - Overall Height	62	1575	62	1575	80	2032	80	2032
D - Max Shed Diameter	10.5	267	12	305	10.5	267	12	305
Creepage Distance	132	3353	132	3353	165	4191	165	4191
Fitting - Live Line End	5	127	5	127	5	127	5	127
Fitting - Ground/Base	5	127	5	127	5	127	5	127
MECHANICAL STRENGTH	Lbf	kN	Lbf	kN	Lbf	kN	Lbf	kN
Cantilever Strength, Upright	1200	5.3	1850	8.2	950	4.2	1450	6.4
Tension Strength	20000	89.0	25000	111.2	20000	89.0	25000	111.2
Compression Strength	60000	266.9	75000	333.6	60000	266.9	75000	333.6
Torsion Strength	40000	177.9	90000	400.3	40000	177.9	90000	400.3
ELECTRICAL PERFORMANCE	kV		kV		kV		kV	
Power frequency Wet withstand voltage	315		315		385		385	
Impulse flashover voltage, positive pole	810		810		1010		1010	
Impulse Withstand	750		750		900		900	
RADIO INFLUENCE VOLTAGE								
1000kHz Maximum radio interference	500 μV		500 μV		500 μV		500 μV	
Radio interference to the ground	103 kV		103 kV		146 kV		146 kV	

SPECIFICATION

ANSI PART Number	TR 312		TR 316		TR 362	
HPK Catalog Number	2031201		2031601		2036201	
Figure Number	3		3		4	
DIMENSIONS	In	mm	In	mm	In	mm
H - Overall Height	92	2337	92	2337	92	2337
D - Max Shed Diameter	10.5	267	12	305	11	277
Creepage Distance	198	5029	198	5029	198	5029
Fitting - Live Line End	5	127	5	127	7	177.8
Fitting - Ground/Base	5	127	5	127	7	177.8
MECHANICAL STRENGTH	Lbf	kN	Lbf	kN	Lbf	kN
Cantilever Strength, Upright	800	3.6	1250	5.6	2300	10.2
Tension Strength	20000	89.0	25000	111.2	40000	177.9
Compression Strength	60000	266.9	75000	333.6	100000	444.8
Torsion Strength	40000	177.9	90000	400.3	120000	533.8
ELECTRICAL PERFORMANCE	kV		kV		kV	
Power frequency Wet withstand voltage	455		455		455	
Impulse flashover voltage, positive pole	1210		1210		1210	
Impulse Withstand	1050		1050		1050	
RADIO INFLUENCE VOLTAGE						
1000kHz Maximum radio interference	500 μ V		500 μ V		500 μ V	
Radio interference to the ground	146 kV		146 kV		146 kV	

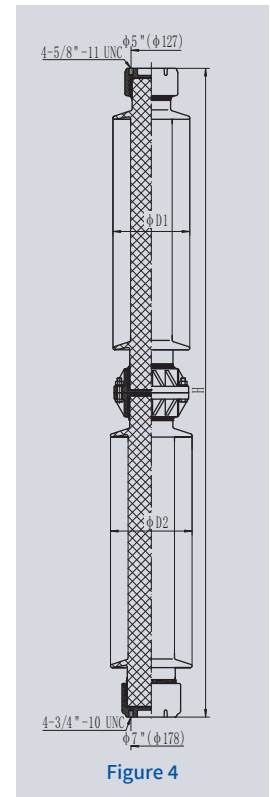
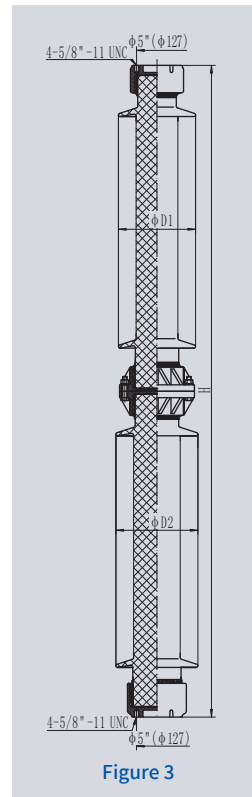


ANSI PART Number	TR 324		TR 367		TR 368		TR 369	
HPK Catalog Number	2032401		2036701		2036801		2036901	
Figure Number	3		4		5		4	
DIMENSIONS	In	mm	In	mm	In	mm	In	mm
H - Overall Height	106	2692	106	2692	106	2692	106	2692
D - Max Shed Diameter	10.5	267	14	356	10.9	277	14	356
Creepage Distance	231	5867	231	5867	231	5867	231	5867
Fitting - Live Line End	5	127	5	127	7	177.8	5	127
Fitting - Ground/Base	5	127	7	177.8	7	177.8	7	177.8
MECHANICAL STRENGTH	Lbf	kN	Lbf	kN	Lbf	kN	Lbf	kN
Cantilever Strength, Upright	1000	4.4	1450	6.4	2000	8.9	2050	9.1
Tension Strength	25000	111.2	20000	89.0	40000	177.9	20000	89.0
Compression Strength	75000	333.6	60000	266.9	100000	444.8	60000	266.9
Torsion Strength	90000	400.3	40000	177.9	120000	533.8	40000	177.9
ELECTRICAL PERFORMANCE	kV		kV		kV		kV	
Power frequency Wet withstand voltage	525		525		525		525	
Impulse flashover voltage, positive pole	1410		1410		1410		1410	
Impulse Withstand	1300		1300		1300		1300	
RADIO INFLUENCE VOLTAGE								
1000kHz Maximum radio interference	1000 μ V		1000 μ V		1000 μ V		1000 μ V	
Radio interference to the ground	220 kV		220 kV		220 kV		220 kV	

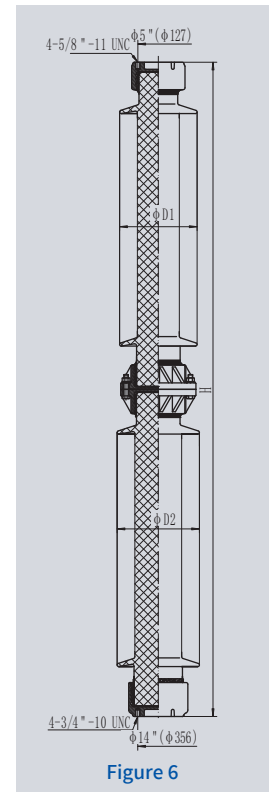
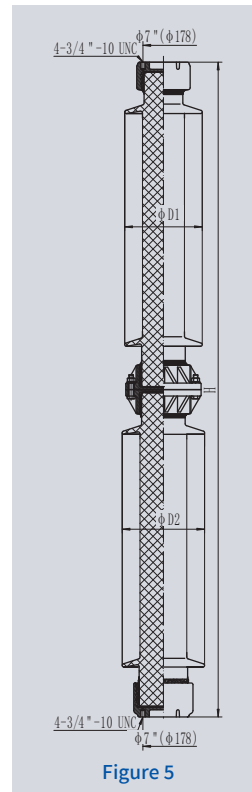


SPECIFICATION

ANSI PART Number	TR 330		TR 371		TR 372		TR 373	
HPK Catalog Number	2033001		2037101		2037201		2037301	
Figure Number	3		4		5		4	
DIMENSIONS	ln	mm	ln	mm	ln	mm	ln	mm
H - Overall Height	122	3099	122	3099	122	3099	122	3099
D - Max Shed Diameter	10.5	267	14	356	10.9	277	14	356
Creepage Distance	264	6706	264	6706	264	6706	264	6706
Fitting - Live Line End	5	127	5	127	7	177.8	5	127
Fitting - Ground/Base	5	127	7	177.8	7	177.8	7	177.8
MECHANICAL STRENGTH	Lbf	kN	Lbf	kN	Lbf	kN	Lbf	kN
Cantilever Strength, Upright	900	4.0	1170	5.2	1750	7.8	1750	7.8
Tension Strength	25000	111.2	20000	89.0	40000	177.9	20000	89.0
Compression Strength	75000	333.6	60000	266.9	100000	444.8	60000	266.9
Torsion Strength	90000	400.3	40000	177.9	120000	533.8	40000	177.9
ELECTRICAL PERFORMANCE	kV		kV		kV		kV	
Power frequency Wet withstand voltage	590		590		590		590	
Impulse flashover voltage, positive pole	1610		1610		1610		1610	
Impulse Withstand	1470		1470		1470		1470	
RADIO INFLUENCE VOLTAGE	kV		kV		kV		kV	
1000kHz Maximum radio interference	1000 μ V		1000 μ V		1000 μ V		1000 μ V	
Radio interference to the ground	220 kV		220 kV		210 kV		220 kV	

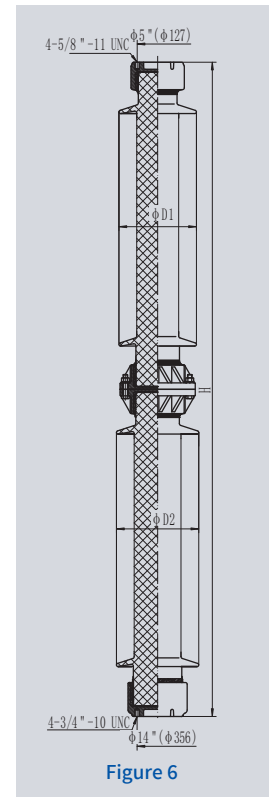
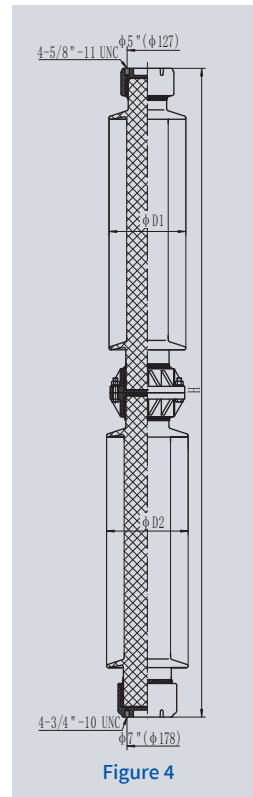


ANSI PART Number	TR 378		TR 379		TR 380	
HPK Catalog Number	2037801		2037901		2038001	
Figure Number	4		4		6	
DIMENSIONS	ln	mm	ln	mm	ln	mm
H - Overall Height	128	3251	128	3251	128	3251
D - Max Shed Diameter	11.1	282	14	356	16	406
Creepage Distance	320	8128	280	7112	280	7112
Fitting - Live Line End	5	127	5	127	5	127
Fitting - Ground/Base	7	177.8	7	177.8	14	355.6
MECHANICAL STRENGTH	Lbf	kN	Lbf	kN	Lbf	kN
Cantilever Strength, Upright	1000	4.4	1700	7.6	2500	11.1
Tension Strength	20000	89.0	20000	89.0	25000	111.2
Compression Strength	60000	266.9	60000	266.9	60000	266.9
Torsion Strength	40000	177.9	40000	177.9	60000	266.9
ELECTRICAL PERFORMANCE	kV		kV		kV	
Power frequency Wet withstand voltage	620		620		620	
Impulse flashover voltage, positive pole	1710		1710		1710	
Impulse Withstand	1550		1550		1550	
RADIO INFLUENCE VOLTAGE	kV		kV		kV	
1000kHz Maximum radio interference	2000 μ V		2000 μ V		2000 μ V	
Radio interference to the ground	318 kV		318 kV		318 kV	

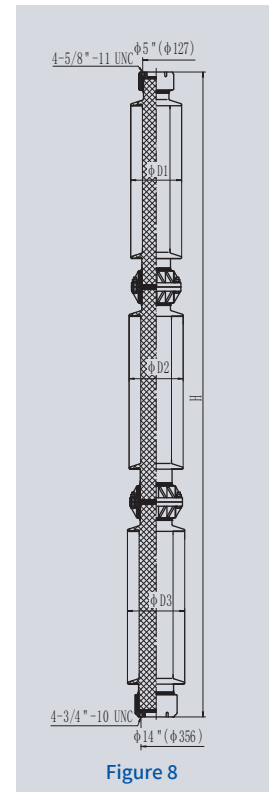
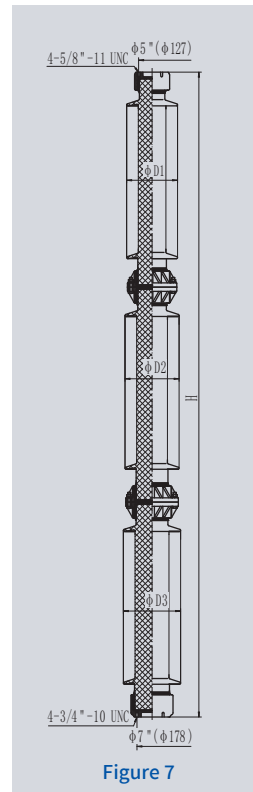


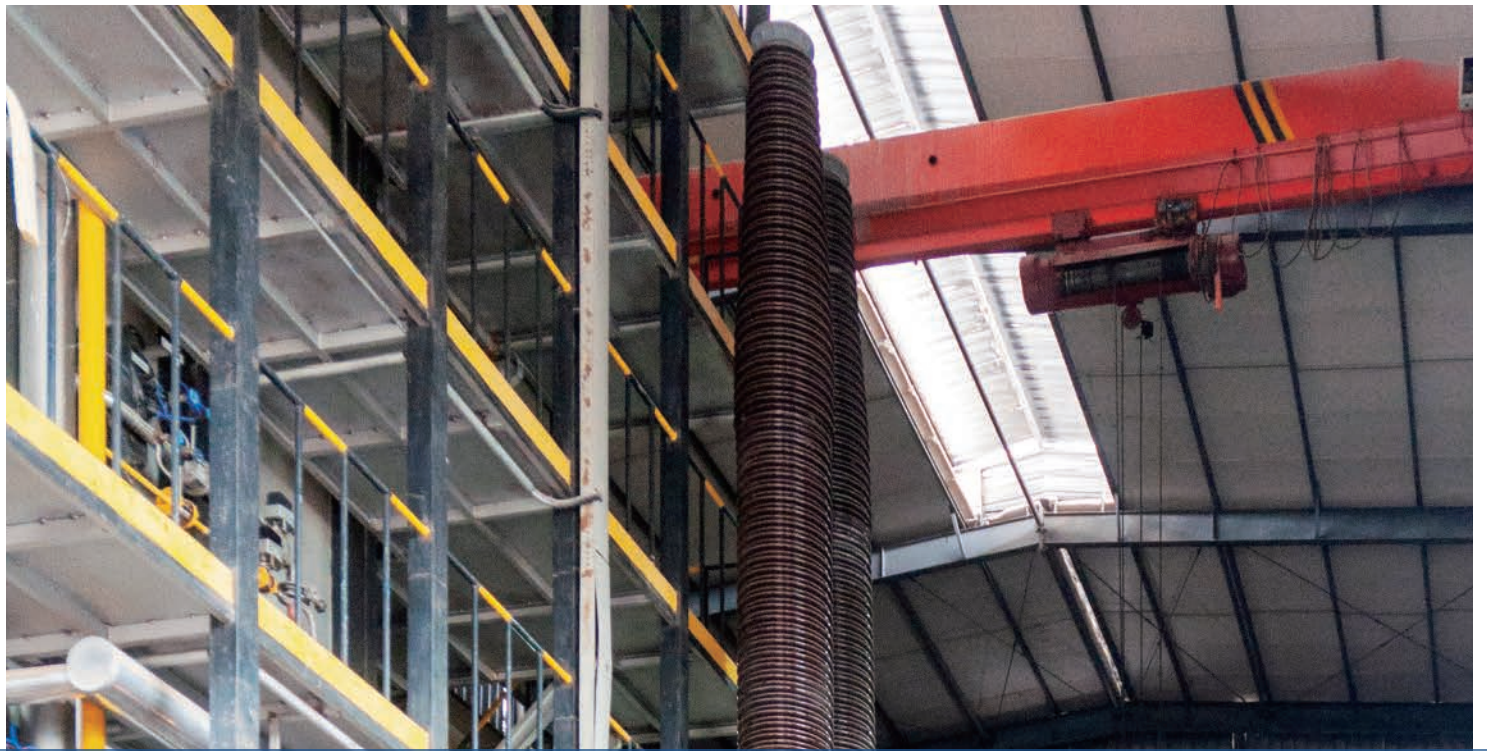
SPECIFICATION

ANSI PART Number	TR 391		TR 392		TR 393	
HPK Catalog Number	2039101		2039201		2039301	
Figure Number	4		6		6	
DIMENSIONS	In	mm	In	mm	In	mm
H - Overall Height	152	3861	152	3861	152	3861
D - Max Shed Diameter	14	356	16	406	16	406
Creepage Distance	330	8382	330	8382	330	8382
Fitting - Live Line End	5	127	5	127	5	127
Fitting - Ground/Base	7	177.8	14	355.6	14	355.6
MECHANICAL STRENGTH	Lbf	kN	Lbf	kN	Lbf	kN
Cantilever Strength, Upright	1400	6.2	1750	7.8	2500	11.1
Tension Strength	20000	89.0	20000	89.0	25000	111.2
Compression Strength	60000	266.9	60000	266.9	90000	400.3
Torsion Strength	40000	177.9	60000	266.9	90000	400.3
ELECTRICAL PERFORMANCE	kV		kV		kV	
Power frequency Wet withstand voltage	710		710		710	
Impulse flashover voltage, positive pole	2000		2000		2000	
Impulse Withstand	1800		1800		1800	
RADIO INFLUENCE VOLTAGE						
1000kHz Maximum radio interference	2000 μ V		2000 μ V		2000 μ V	
Radio interference to the ground	318 kV		318 kV		318 kV	



ANSI PART Number	TR 400		TR 401	
HPK Catalog Number	2040001		2040101	
Figure Number	7		8	
DIMENSIONS	In	mm	In	mm
H - Overall Height	182	4623	185	4699
D - Max Shed Diameter	14	356	16	406
Creepage Distance	396	10058	432	10973
Fitting - Live Line End	5	127	5	127
Fitting - Ground/Base	7	177.8	14	355.6
MECHANICAL STRENGTH	Lbf	kN	Lbf	kN
Cantilever Strength, Upright	1150	5.1	2000	8.9
Tension Strength	20000	89.0	20000	89.0
Compression Strength	60000	266.9	60000	266.9
Torsion Strength	60000	266.9	60000	266.9
ELECTRICAL PERFORMANCE	kV		kV	
Power frequency Wet withstand voltage	830		830	
Impulse flashover voltage, positive pole	2370		2370	
Impulse Withstand	2050		2050	
RADIO INFLUENCE VOLTAGE				
1000kHz Maximum radio interference	2000 μ V		2000 μ V	
Radio interference to the ground	350 kV		350 kV	





HPK
INSULATORS

LILING HUAXIN INSULATOR TECHNOLOGY CO.,LTD

Add: Pukou Industrial District, Liling City, Hunan Province, China. 412208

Tel: +86 0731-23138188 Fax: +86 0731-23136575

E-mail: info@hpk-insulators.com

**THE WORLD LARGEST
PORCELAIN**

INSULATOR 1100kV AC
H: 12m (39 ft)
Creep: 27m
Max. OD: 0.885m

